



ATLANTIC SURVEYOR

Main Characteristics

Length Overall	110 ft	(33.53 m)
Beam	26 ft	(7.93 m)
Depth	12 ft	(3.65 m)
Operating Draft	9 ft	(2.75 m)
Light Draft	7 ft	(1.90 m)
Gross Tonnage	98	

Capacities

Clear Deck Space	56.0' x 24.5'	(17.07m x 7.47m)
Deck Cargo	65 LT	(58.97 mt)
Fuel Oil	16,850 gal	(63.78 m ³)
Lube Oil	180 gal	(0.82 m ³)
Potable Water	10,100 gal	(38.23 m ³)

Performance

Cruising Speed	9 knots
Top Speed	10 knots
Fuel Consumption	25 gal/hr

Propulsion

Main Engines	(2) V-1671
Manufacturer	Detroit
Total Horsepower	900 hp
Main Propulsion	2 x Michigan 54 x 52 4 Blade

Special Features

- 10 t A-Frame
- 2.5 t Winch
- 1000lb Anchor

Available Equipment

- 60kw 440v / 3ph Deck Generator dedicated to Client needs
- 3 & 4 Point Anchor Spread
- Side Mount Survey Pole
- Knuckle Boom Crane

Accommodations

- Accommodations for 16 people composed of 4 x 4-man cabins
- Crew 4
- Guests 12
- Fully Airconditioned and Heated

Electronics

- 3 x VHF Radio
- 2 x GPS
- 2 x Radars
- 2 x Depth Finder
- 1 x PA / Loud Hailer
- 2 x Sat Phones

Generators

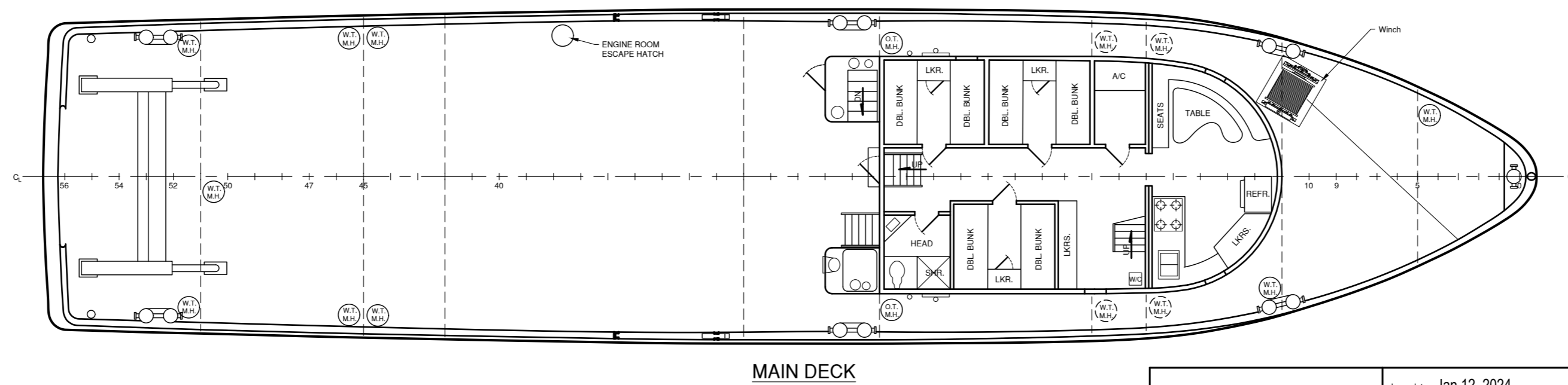
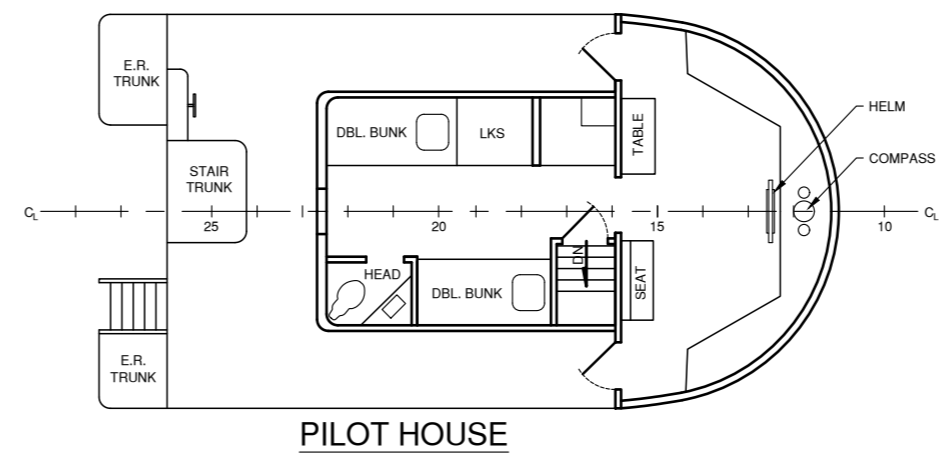
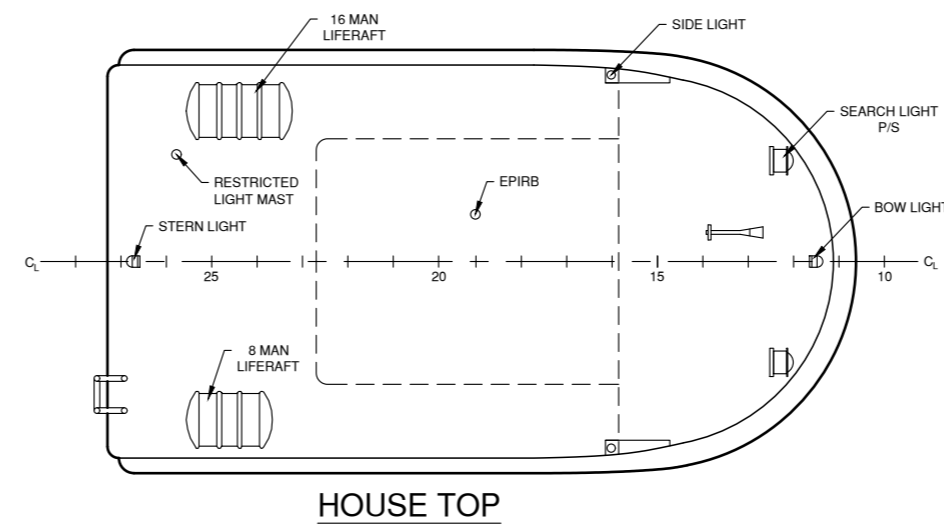
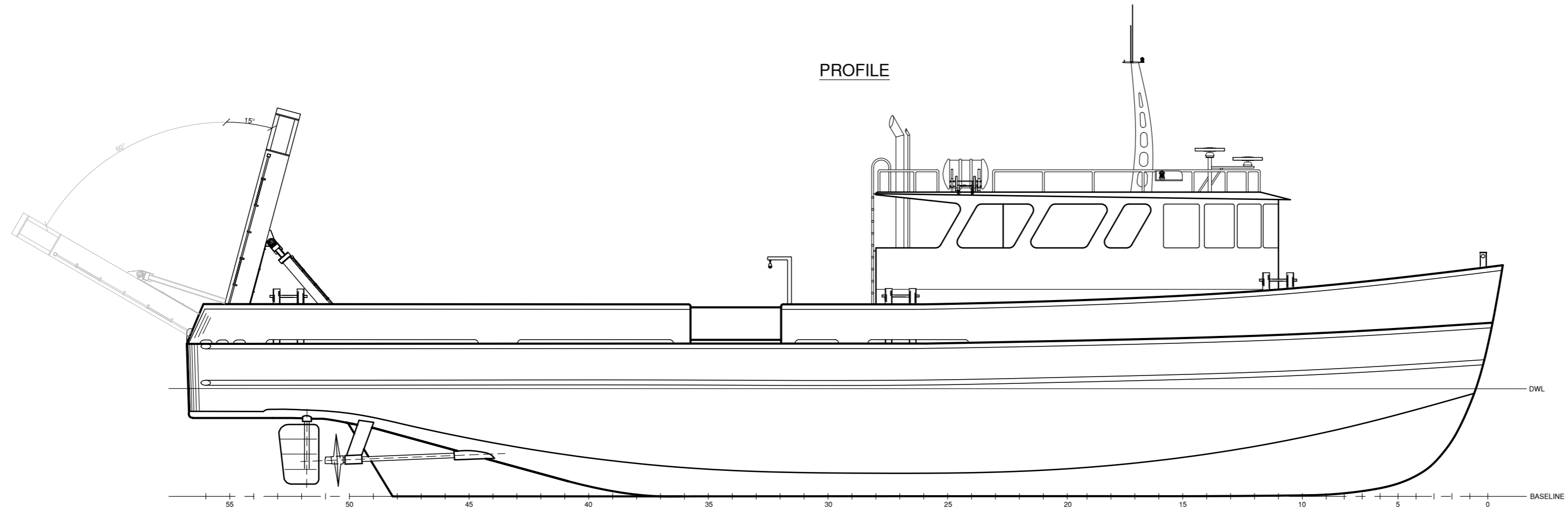
Engine MFG	Detroit
Volts Each	440
K.W.	60

Life Saving Equipment

- 2 x 12 Man Life Rafts
- 1 x EPIRB
- 1 x 6 Man Life Raft
- S.A.R.T.

Classification

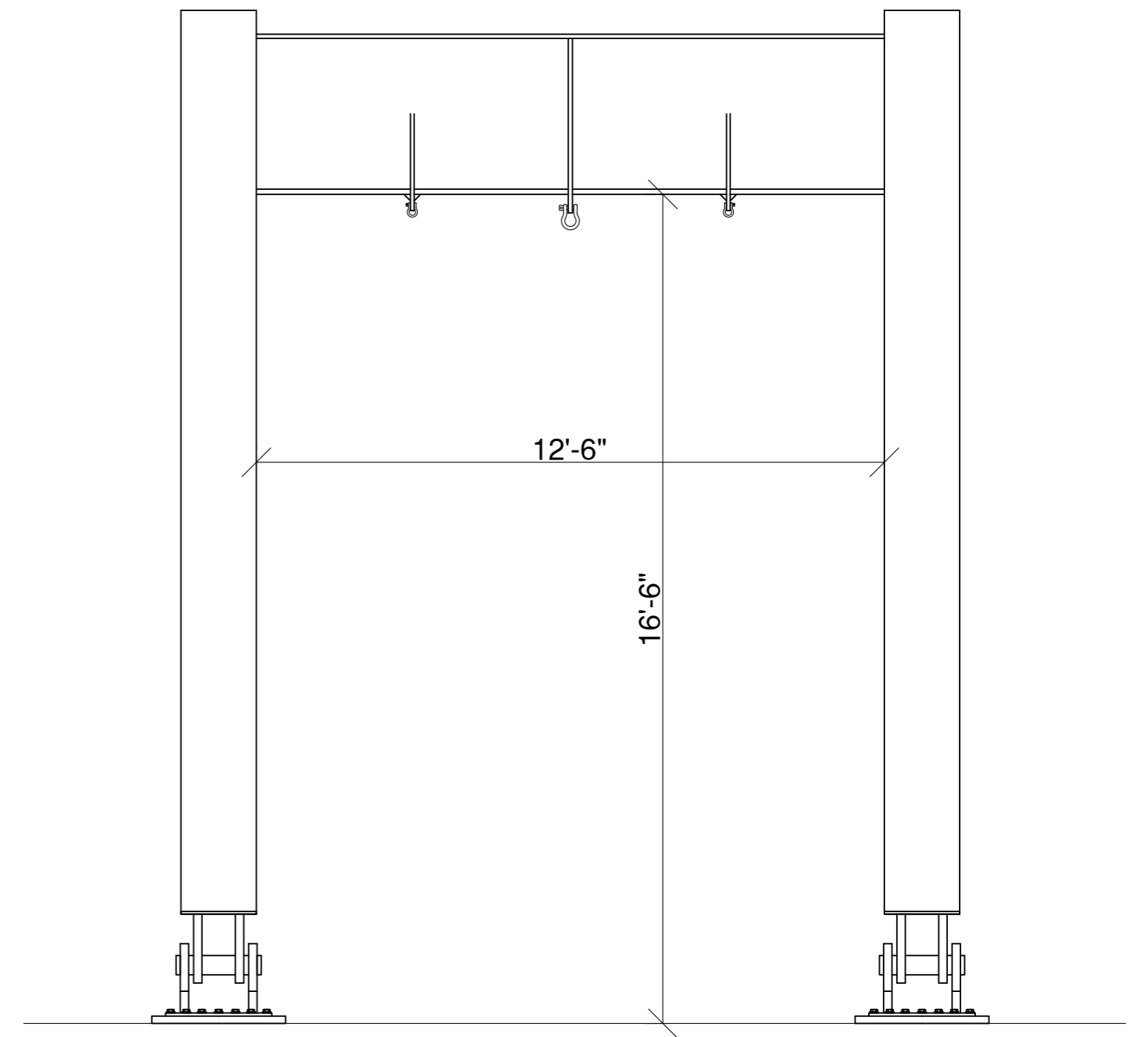
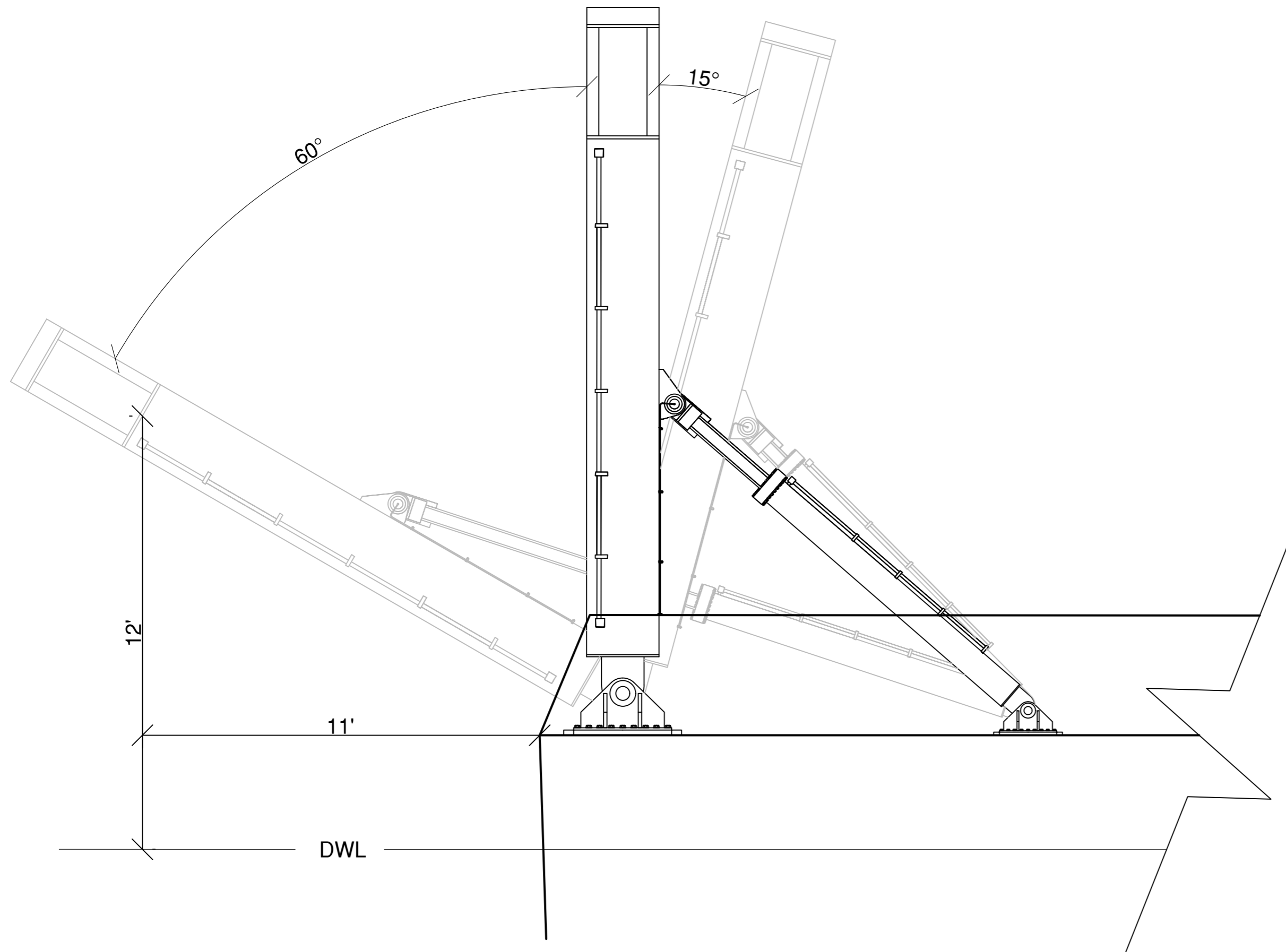
Subchapter	T / Passenger
Flag	U.S.A.




	Issue date: Jan 12, 2024	Scale: 3" = 1'-0"	File name: NS_ATLANTIC_SURVEYOR-General_Arrangement
	Drawn by: HLyman	Orig. Size: A2	Project Name: NORTHSTAR MARINE FLEET
	DWG NO: NSM-AS-1-2024	Drawing title: NS Atlantic Surveyor GA	
	Vessel: Northstar Atlantic Surveyor	Sheet: 1 of 1	

NORTHSTAR ATLANTIC SURVEYOR

A-FRAME SWL 10 T



	Issue date: Jan 16, 2024	Scale: 9" = 1'-0"	File name: NS_ATLANTIC_SURVEYOR_A-Frame
	Drawn by: HLyman	Orig. Size: A2	Project Name: NORTHSTAR MARINE FLEET
	DWG NO: NSM-AS-2-2024	Drawing title: NS Atlantic Surveyor A-Frame	
	Vessel: Northstar Atlantic Surveyor	Sheet: 1 of 1	